

# SECURE-TEMP ASHT+

Factory-built CHIMNEY  
5", 6", 7", 8" & 10" dia.  
TYPE HT

## SUMMARY

OUR PRODUCTS LIVE UP TO OUR NAME WARNING.....	2
GENERAL INFORMATION USA & CANADIAN APPLICATIONS.....	2
KEEP YOUR CHIMNEY CLEAN SIZING CHART .....	3
GENERAL INSTALLATION NOTES.....	4
STEP BY STEP INSTALLATIONS .....	5
INTERIOR INSTALLATION WITH CATHEDRAL CEILING .....	6
OFFSET INSTALLATION.....	7-8
EXTERIOR INSTALLATION.....	9-10
INTERIOR INSTALLATION ON A FURNACE & WATER HEATER.....	11
SPECIALIZED COMPONENTS .....	12
WARRANTY	

## INSTALLATION

## AND

## OPERATING

## INSTRUCTIONS

Read these instructions and keep them for future reference

Listed: Warnock Hersey 9651

Standard: CAN /ULC-S604  
UL-103HT



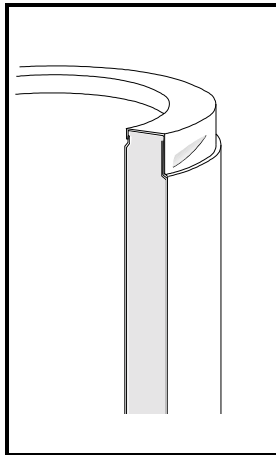
SECURITY CHIMNEYS INTERNATIONAL LTD  
2125 Monterey, Laval  
(Quebec) Canada H7L 3T6  
(450) 973-9999



# OUR PRODUCTS LIVE UP TO OUR NAME

## CONGRATULATIONS!

You have just purchased one of the safest chimneys in North America. Designed with care, using the latest technology, it has been manufactured in accordance with **ISO** International Standards of Quality. The chimney is easy to install and all parts of the system are built to fit perfectly with each other. If you're handy, know how to use a few simple tools and have some basic carpentry skills, you can install your **ASHT+** chimney yourself over one weekend. Or you can hire a professional to do the job, which will take a few hours.



## WARNING

**A MAJOR CAUSE OF CHIMNEY-RELATED FIRES IS FAILURE TO MAINTAIN REQUIRED CLEARANCES (AIR SPACES) TO COMBUSTIBLE MATERIALS. IT IS OF UTMOST IMPORTANCE THAT THIS CHIMNEY BE INSTALLED ONLY IN ACCORDANCE WITH THESE INSTRUCTIONS.**

## RECOMMENDATIONS

### Clearance

The clearances stated in this guide are minimum requirements: if more space is available, use it. Minimum clearances mean leaving unobstructed air space. Do not fill these spaces with any material whatsoever, especially not insulating material. If you insulate your attic later, be sure to maintain the necessary clearance.

### Inspection

Contact local building or fire officials about restrictions, installation inspection and permit that may be required in your area.

### Replacement Parts

If a component of your chimney system is damaged it must be replaced by an identical one from Security Chimneys.

## BURNING SMART

How you burn wood in your stove or fireplace directly affects the formation of creosote. Smaller, hotter fires are better than large, smoldering ones. Fast, effective start-ups are important, as is the moisture content of the wood. Ideally, you should use seasoned wood with a moisture content of 20-25%. If your wood is not completely seasoned, use more dry kindling and paper first to warm the chimney to a temperature of at least 300°F. A surface thermometer is an excellent investment. Properly seasoned wood can produce 8,600 BTUs per pound.

# WOOD AND COAL STOVES

## U.S.A APPLICATIONS

In U.S.A. the ASHT+ chimney has been designed for use with wood, gas, oil and coal in residential, commercial and industrial applications. Specially developed for use with controlled-combustion stove and wood burning fireplace to UL-103HT standards, 2100°F is available in diameters of 5, 6, 7, 8 and 10 inches

If you are planning to install a wood stove, we recommend that you:

1. Choose a stove that bears the label of a testing laboratory (such as UL, CSA, WH, ULC or ICBO).
2. Choose the right size stove. Do not buy one larger than you need.
3. Connect only one appliance to a chimney.
4. Never overfire your stove. If any part of the stove or stove pipe is glowing red, then you are overfiring. Immediately close the stove's dampers until the system cools. The high temperature caused by overfiring can permanently damage the stove and stove pipe and may overheat nearby combustible walls and furniture.
5. Install the stove and stove pipe as described in the installation instructions accompanying the stove. Be certain to maintain the required clearances to combustible construction.
6. Keep your flue gases between 300°F and 500°F. This will maximize efficiency while minimizing condensation and creosote formation. Do not fill your stove with wood and allow it to smolder for 8 to 10 hours. This condition produces large amounts of creosote in the chimney.
7. Do not burn sea driftwood or treated wood. These combustibles are highly corrosive to all types of stainless steel.

## CANADIAN APPLICATIONS

**IN CANADA, THE ASHT+ IS NOT APPROVED TO VENT A WOOD OR COAL STOVE. YOU MUST USE THE S-2100+ CHIMNEY THAT IS LISTED TO ULC-S629M STANDARDS.**

In Canada, the ASHT+ has been designed for use with gas or oil fired heating appliances such as furnace, hot water heaters and other appliances, as per ULC-S604 standards.

The ASHT+ in Canada is also suitable for use with closed or opened fireplaces such as the BIS fireplaces, the entire line of products manufactured by the Security Fireplace division, and other fireplaces certified for use with the ASHT+.

CHECK MANUFACTURER'S CERTIFICATION.

# KEEP YOUR CHIMNEY CLEAN

## CHIMNEY OPERATION AND MAINTENANCE.

### CANADIAN APPLICATIONS

Even if the ASHT+ may not be installed on wood stove, you should follow the operation and maintenance guideline.

Wood stoves can quickly create large deposits of creosote in the chimney. Some wood stoves can create enough creosote in two weeks to cause a chimney fire. When using a wood stove, we recommend that you:

1. Initially inspect the chimney system weekly. From this, you will learn how often it will be necessary to clean your chimney.
2. The chimney should be inspected at least once every 2 months during the heating season to determine if a creosote or soot build-up has occurred: if creosote or soot has accumulated, it should be removed to reduce the risk of chimney fire.
3. Have your chimney cleaned by a qualified chimney sweep. If you want to clean your chimney yourself: clean your chimney using plastic, wood or stainless steel brushes. Do not use a brush that will scratch the stainless steel interior of your chimney.
4. Do not expect chemical chimney cleaners to keep your chimney clean. Their use does not negate the necessity of periodically inspecting and cleaning your chimney.

### CHIMNEY FIRES

If you are having a chimney fire, follow these steps:

1. Close all heater doors and combustion air controls. For fireplaces, block the fireplace opening with a non-combustible material (such as an asbestos or steel sheet).
2. Alert your family to the possible danger.
3. If you require assistance, alert your fire department.
4. If possible, use a dry chemical fire extinguisher, baking soda or sand to control the fire. Do not use water as it may cause a dangerous steam explosion.
5. Watch for smouldering or fire on combustibles next to the stove, stove pipe and chimney. Check outside to ensure that sparks and hot embers coming out of the chimney are not igniting the roof.
6. Do not use the stove again until your chimney and stove pipe have been inspected by a qualified chimney sweep or Fire Department Inspector.

The ASHT+ chimney has been designed to withstand the intense heat of a chimney fire. Nevertheless chimney fires are dangerous and should be prevented.

### BEFORE HIRING A CHIMNEY SWEEP

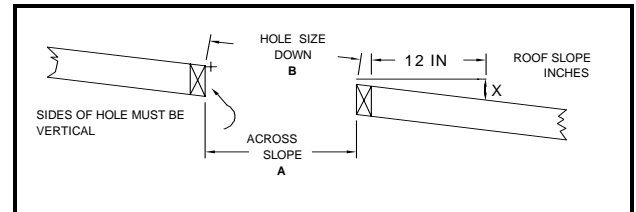
1. Does the company or individual have adequate liability insurance in case of damage?
2. How long has the company been in business?
3. Does the company offer current references?
4. Is the company involved in any unresolved disputes?

# SIZING CHART

CHIMNEY SIZE	5"	6"	7"	8"	10"
OUTSIDE DIAMETER	7"	8"	9"	10"	12"
<b>HOLE DIMENSION REQUIRED</b>					
Base support(S2)	14 3/8"	14 3/8"	14 3/8"	14 3/8"	--
Cathedral support(SC)	--	14 3/8"	14 3/8"	14 3/8"	--
Square support(SS)	--	14 3/8"	14 3/8"	14 3/8"	14 3/8"
Finish support(SF)	--	14 3/8"	14 3/8"	14 3/8"	--
Firestop (BF+)	11 3/8"	12 3/8"	13 3/8"	14 3/8"	16 3/8"
<b>MAX. LENGTH HEIGHT SUPPORTED **</b>					
Base support (S2)	--	32'	32'	32'	32'
Wall support (SM)	63'	63'	55'	48'	39'
Roof support (ST+)	42'	34'	27'	24'	20'
Cathedral support (SC)	--	75'	65'	59'	--
Square support (SS)	--	60'	50'	45'	35'
Adj. square support (SSA)	27'	22'	--	--	--
Finish support (SF)	--	75'	65'	59'	--
Offset support (SO+)	--	28'	24'	20'	14'
Insulated tee (TI+) *	63'	63'	55'	50'	50'
CLEARANCE TO COMBUSTIBLES	2"	2"	2"	2"	2"

\* When installed on a concrete footing.

\*\* NOTE: If greater height is required, use additional roof supports at intervals not exceeding 30'



CHIMNEY SIZE	5"	6"	7"	8"	10"					
ROOF SLOPE	<b>HOLE SIZE</b>									
x/12	A	B	A	B	A	B	A	B	A	B
0	11 3/8	11 3/8	12 3/8	12 3/8	13 3/8	13 3/8	14 3/8	14 3/8	16 3/8	16 3/8
2/12	11 3/8	11 1/2	12 3/8	12 1/2	13 3/8	13 1/2	14 3/8	14 9/16	16 3/8	16 19/32
4/12	11 3/8	12	12 3/8	13	13 3/8	14 3/32	14 3/8	15 5/32	16 3/8	17 1/4
6/12	11 3/8	12 11/16	12 3/8	13 13/16	13 3/8	14 15/16	14 3/8	16 3/32	16 3/8	18 5/16
8/12	11 3/8	13 11/16	12 3/8	14 7/8	13 3/8	16 1/16	14 3/8	17 1/4	16 3/8	19 11/16
10/12	11 3/8	14 13/16	12 3/8	16 1/8	13 3/8	17 7/16	14 3/8	18 23/32	16 3/8	21 5/16
12/12	11 3/8	16 1/16	12 3/8	17 1/2	13 3/8	18 29/32	14 3/8	20 11/32	16 3/8	23 5/32

# 1

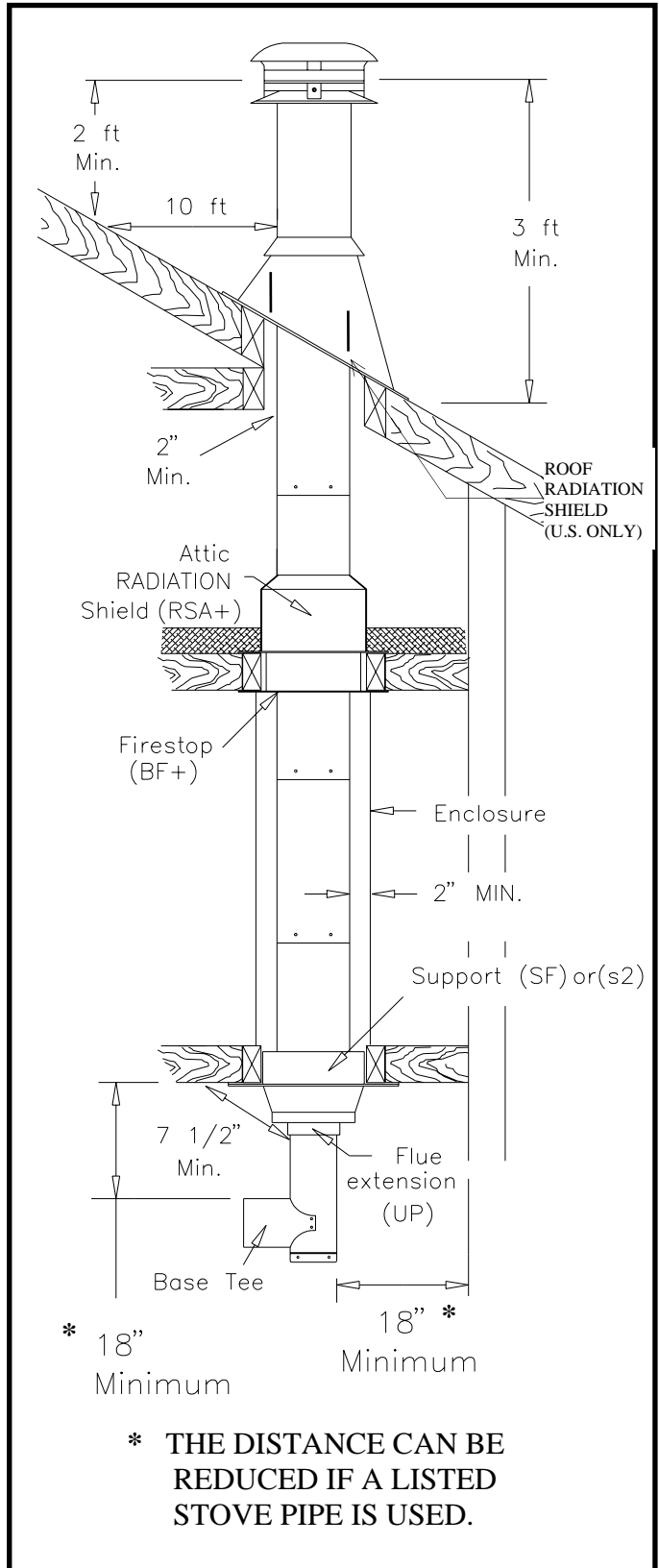
## GENERAL INSTALLATION NOTES

### INSTALLATION NOTES

- The chimney is intended for use with solid (**U.S. only**), liquid and gaseous fuel burning appliances.  
Allowable flue gas temperature:  
Maximum continuous 540°C (1000°F)  
Brief forced firing 760°C (1400°F)  
Tested to 1150°C (2100°F) - 10 minutes
- The maximum height of chimney supported by the various security supports are outlined on page 3.
- The supports described in this booklet should only be used with Security Chimneys' model ASHT+, 5", 6", 7", 8" and 10" factory built chimneys.
- Size the chimney in accordance with the appliance manufacturer's instructions.
- A chimney servicing a fireplace or an incinerator shall not serve any other appliance.
- The chimney shall extend at least 3 ft above its point of contact with the roof and at least 2 ft higher than any wall, roof or adjacent building within 10 ft of it.
- The maximum height of unguyed chimney above the roof is 5 ft.
- The clearance between single wall pipe and unprotected combustible material must not be less than 18" (see national building code and NFPA 211) except:  
The distance between the vertical stove pipe and the ceiling may be less than 18" and will be established by the finish support.
- Portions of the chimney which may extend through accessible spaces shall be enclosed in all cases to avoid personal contact with the chimney and damage to the chimney. Except for installation in single and two-storey family dwellings, the enclosure must have a fire resistance rating equal to or greater than that of the floor or roof assemblies through which they pass.
- Do not fill the 2" space around the chimney with insulation or any other material. Insulation placed in this area could cause adjacent combustibles to overheat.

### WARNING

The clearance between the chimney and combustible material must not be less than 2", except where established by the support. Do not fill this area with insulation.



- 1 Locate the chimney in a convenient place as near as possible to the appliance outlet.  
Cut and frame the holes in the floor, ceiling and roof where the chimney will pass.

CHIMNEY SIZE	HOLE SIZE	
	FINISH SUPPORT (SF) or (S2)	RADIATION SHIELD* & ROOF
6"	14 3/8" x 14 3/8"	12 3/8" x 12 3/8"
7"	14 3/8" x 14 3/8"	13 3/8" x 13 3/8"
8"	14 3/8" x 14 3/8"	14 3/8" x 14 3/8"
10"	---	16 3/8" x 16 3/8"

\* For sloping roofs see size chart on page 3

- 2 From below push the finish support into the framed hole. Nail the support to the framed box using (12) - 3" spiral nails (see Fig. 2)
- 3 Attach the flue extension (found in the support box) to the bottom of the first chimney length using the 3 metal screws provided (see Fig. 4).
- 4 Put this first chimney length in the support. Push it down firmly in place (see Fig. 3).

**Note: the male coupling must be on top.**

- 5 From below, install a firestop plate (BF+) in each floor through which the chimney passes.
- 6 Stack the next chimney length on the first length. Be sure that the male and female threads are not in line when putting the lengths together. Turn the chimney clockwise to lock it in place.  
Continue until the required chimney height is reached.
- 7 At the attic level, install a firestop plate (BF+), from below and an attic radiation shield (RSA+) from above (see Fig. 5).

**(U.S. ONLY)** Install the roof radiation shield in the roof joists. This shield consists of four metal plates supplied with the roof flashing. Nail one plate to each side of the joist using (2) - 2 1/2" nails.

### ROOF FLASHING INSTALLATION

- 8 Put the roof flashing in place. Seal the joint between the roof and the flashing with roofing pitch.  
For sloping roofs, place the flashing under the upper shingles and on top of the lower shingles.
- 9 Nail the flashing to the roof using roofing nails.  
Place the storm collar over the chimney and the flashing. Tighten it with the bolt supplied making sure the joint is properly caulked (see Fig. 6)
- 10 Fit the rain cap to the top of the chimney. Turn it clockwise to lock it in place.
- 11 Wash the roof flashing with a solvent or vinegar, then paint it with rust proof paint, for longer lasting.

### CANADIAN APPLICATIONS

In Canada, Steps 2-3-4 can be done with a base support (S2) (See page 11). The chimney can also be supported by the fireplace refer to the fireplace installation manual for max. height of chimney supported. (see Maximum length height supported on page 3)

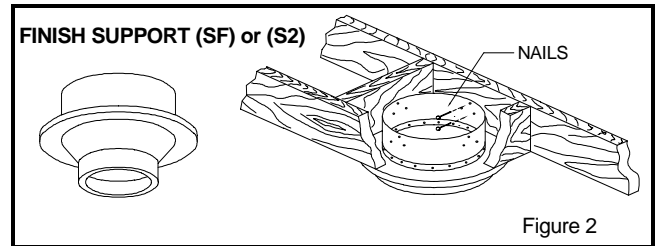


Figure 2

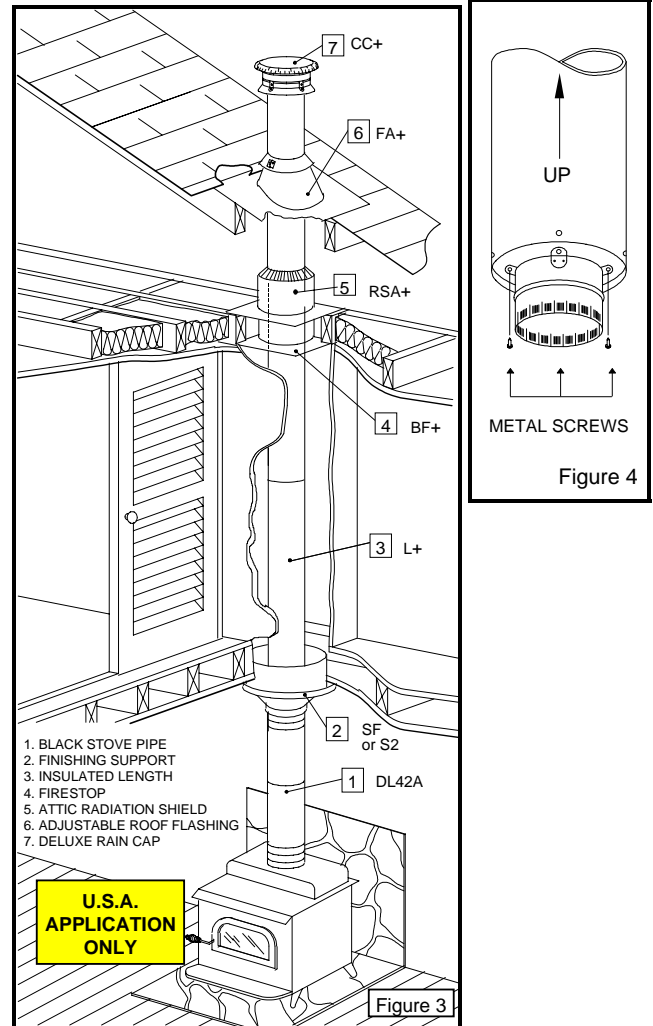


Figure 3

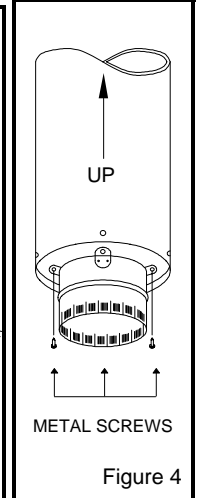


Figure 4

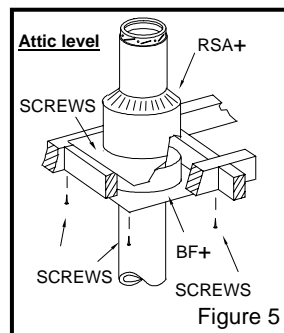


Figure 5

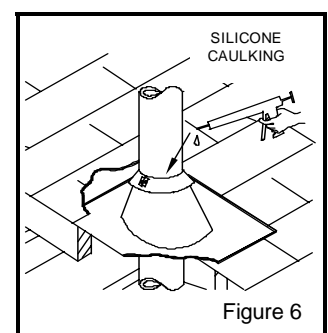


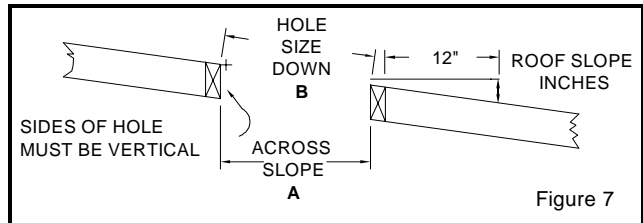
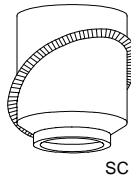
Figure 6

# 2

## INTERIOR INSTALLATION WITH CATHEDRAL CEILING

### A - CATHEDRAL SUPPORT (SC)

This support is designed to be used in rooms with cathedral ceilings (no attic space between the ceiling and the roof). If the support is used as a regular floor support, follow the instructions for the finish support SF on page 5.

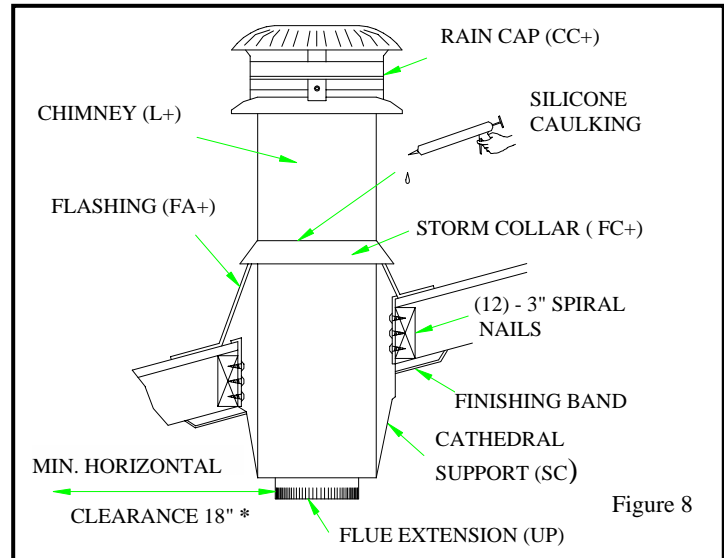


**1** Situate the chimney in a convenient location as near as possible to the appliance outlet. Cut and frame a hole in the roof for the support. The sides of this hole must be vertical (Fig. 7) (see chart on page 3)

**2** From above, place the support in the opening. Lower it to a convenient height.

**Note:** The cone portion of the support must extend below the ceiling. The minimum horizontal distance between the single wall stove pipe and the ceiling is 18".

Using a level, make sure the support is vertical. If the support extends above the roof, cut it flush with the top of the roof. Nail the support to the framed opening using (12)-3" spiral nails (Fig. 8).



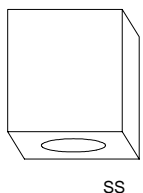
TO CONTINUE INSTALLATION

SEE PREVIOUS STEP ... **3** ON PAGE 5

### B - SQUARE SUPPORT (SS) AND ADJUSTABLE SQUARE SUPPORT (SSA)

This support is similar in application and installation as the cathedral support (SC). Install it using the instructions above (refer to Fig. 9 for visual references).

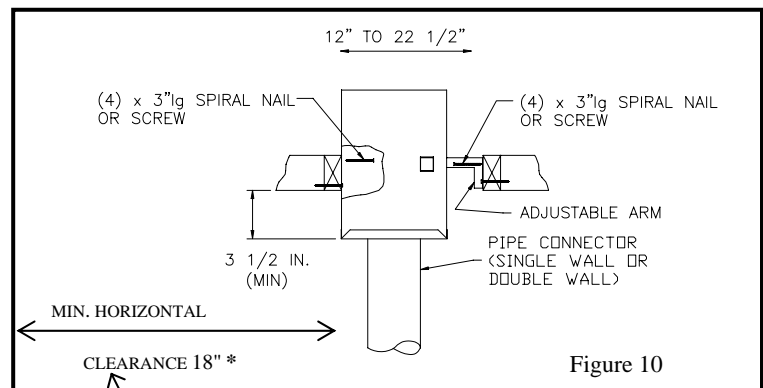
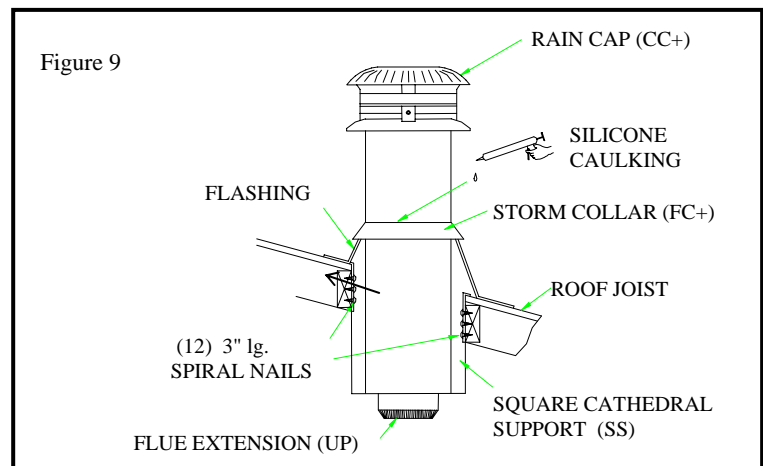
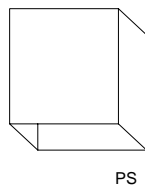
The adjustable square support requires an opening of 12" x 12" up to 12" x 22 1/2" in the ceiling (see fig. 10).



### SUPPORT EXTENSION (PS) (For square support only)

Steep pitched cathedral ceilings may require the use of a square support extension (PS). This piece fits down inside the square support and can be adjusted to increase the support's length by up to 16".

The extension is attached to the support using the eight metal screws provided. Be sure there is at least a 2" overlap where the extension joins the support.



\* THAT DISTANCE CAN BE REDUCED IF A LISTED STOVE PIPE IS USED

# 3 OFFSET DEVIATION

## OFFSET CHIMNEY

### CANADIAN APPLICATION

In Canada, 45° Elbows are allowed, so the chimney may be inclined up to 45°

If it is necessary to offset the chimney in order for it to pass through an upstairs cupboard or to clear a joist, do this by using 15° or 30° insulated elbows. A maximum of two offsets (4 elbows in all) is allowed in a chimney. The chimney must not be inclined more than 30° from vertical (**except in Canada**).

The minimum chimney height when using 15° offsets is 10'.

The minimum chimney height when using 30° offsets is 15'.

The maximum length of unsupported offset chimney is 6'. If the offset chimney is longer than 6', then it must be supported at 6' intervals using an offset support (SO+) or wall band (BM+).

### INSTALLATION INSTRUCTIONS

Install the required support and the chimney as described in the support's installation instructions. When you reach the height at which the elbow will be installed, proceed as follows :

- 1 Install the insulated offset elbow on the vertical chimney length. Turn it in the required direction and fasten it to the chimney with the (4)-1/2" metal screws provided.
- 2 Place the required offset chimney length (see chart below) on the elbow. Turn it clockwise to lock it in place.
- 3 Use another elbow to turn the chimney vertically. Again secure the elbow to the chimney length using the (4)-1/2" metal screws.
- 4 Install the remaining chimney as described in the instructions for the roof support (fig. 13A, page 8).

### INSTALLATION CALCULATIONS

Determine the offset required in view of the obstacles that must be avoided (see fig.12). Refer to the chart below to determine the elbows required as well as the insulated length needed.

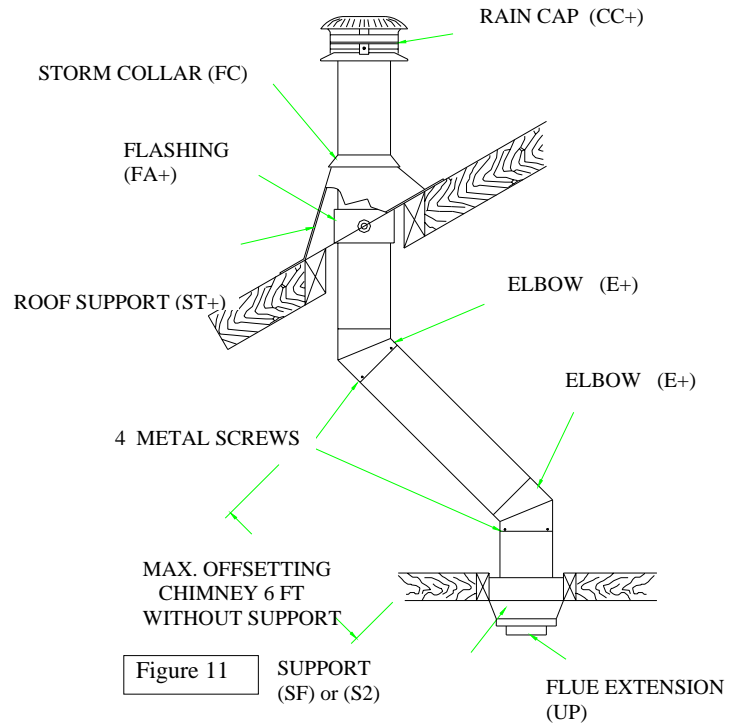


Figure 11

### WARNING

A support must always be installed right above each offset (two elbows) to support the chimney above the offset.

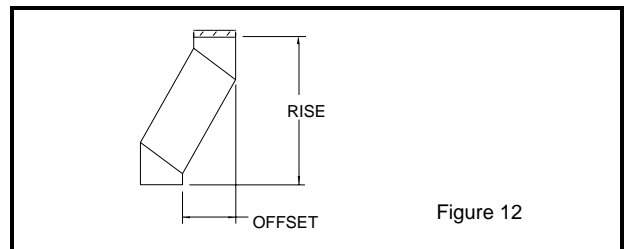


Figure 12

### OFFSET & RISE CHART MODEL ASHT + (5" @ 10")

Angle	Size	Inc hes	ONE LENGTH BETWEEN ELBOWS						TWO LENGTHS BETWEEN ELBOWS					
			8	12	18	24	36	48	8 & 48	12 & 48	18 & 48	24 & 48	36 & 48	48 & 48
15	5 @10 in.	Offset	3 5/16	4 5/16	5 7/8	7 7/16	10 1/2	13 5/8	15 3/8	16 7/16	18	19 1/2	22 5/8	25 3/4
		Rise	15 11/16	19 9/16	25 3/8	31 3/16	42 3/4	54 3/8	60 15/16	64 13/16	70 9/16	16 3/8	87	99 9/16
30	5 @10 in.	Offset	7 7/16	9 7/16	12 7/16	15 7/16	21 7/16	27 7/16	30 13/16	32 13/16	35 13/16	38 13/16	44 13/16	50 13/16
		Rise	20	23 1/2	28 11/16	33 7/8	44 1/4	54 11/16	60 9/16	60	69 1/4	74 7/16	84 13/16	95 1/4
<b>CANADA ONLY</b>														
45	5 @10po	Offset	10 5/16	13 3/16	21 3/8	21 5/8	30 1/8	38 5/8	43 7/16	46 1/4	54 3/4	54 3/4	63 1/4	71 11/16
		Rise	17 13/16	20 5/8	24 7/8	29 1/8	37 5/8	46 1/8	50 15/16	53 3/4	62 1/4	62 1/4	70 3/4	79 3/16

# 3 OFFSET INSTALLATION (CONT'D)

## ROOF SUPPORT (ST+)

The roof support has three possible uses :

It may be used to support a chimney from the roof. It adjusts to any roof pitch.

It may be used on a floor, ceiling or roof above an offset to support the chimney above the offset.

It may be used on a floor, ceiling or roof as a supplementary support when the chimney height exceeds that of the primary support. (See maximum length height supported, page 3)

### INSTALLATION INSTRUCTIONS

With the chimney extending through the hole in the roof, ceiling or floor and the radiation shield in place, proceed as follows (Refer to Fig. 13B for visual references):

- 1 Assemble the support collar to fit your chimney diameter, as described on the instruction sheet supplied with the support.
- 2 Slip the support down over the stainless steel chimney until its brackets rest on the roof or floor. Tighten the collar around the chimney, then secure it by screwing the four ½" metal screws (supplied) through the holes located on each side of the collar bolts and into the chimney (fig.13a).
- 3 Center the chimney and nail or screw the support to the roof or floor using (8) - 2 1/2" nails or (8) N°8 - 1 1/4" wood screws. (Fig. 13a)
- 4 Install the remaining chimney lengths, until the required chimney height is reached.
- 5 **U.S ONLY** - Install the roof radiation shields in the roof joists. These shields consist of four metal plates. Nail one plate to each side of the joist using (2) 2½" nails.
- 6 Put the roof flashing in place. Seal the joint between the roof and the flashing with roofing pitch. For sloping roofs, place the flashing under the upper shingles and on top of the lower shingles. Nail the flashing to the roof using roofing nails. Place the storm collar over the chimney and push down. Caulk the joint between the chimney and collar with silicone caulking.
- 7 Fit the rain cap to the top of the chimney. Turn it clockwise to lock it in place.
- 8 Wash the roof flashing with a solvent or vinegar, then paint it with rust proof paint.

## OFFSET SUPPORT (SO+)

This support is normally for resupporting a chimney venting a listed fireplace. When a chimney offset is used to traverse a wall, this support may be used on the wall to support the chimney. The height of chimney supported is shown in supported height page 3.

### INSTALLATION INSTRUCTIONS

Install the chimney according to the fireplace installation instructions. Install the support as follows (fig. 14):

- 1 Assemble the support collar to fit your chimney diameter as described on the installation sheet supplied with the support.
- 2 Slip the support down over the chimney to a convenient location. Be sure that the support attaches to a solid wall and not merely to dry wall or aluminium siding.
- 3 Tighten the collar around the chimney, then secure it by screwing four ½" metal screws (supplied) through the holes located on each side of the collar bolts and into the chimney.
- 4 Attach the support brackets to the wall using (8) 3" nails or (8) N°10 x 1 1/4" wood screws.
- 5 Continue installing the chimney according to the fireplace installation instructions.

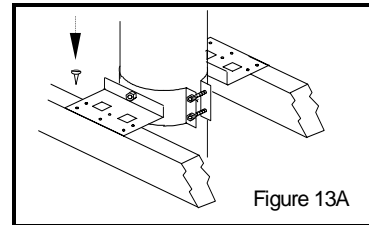


Figure 13A

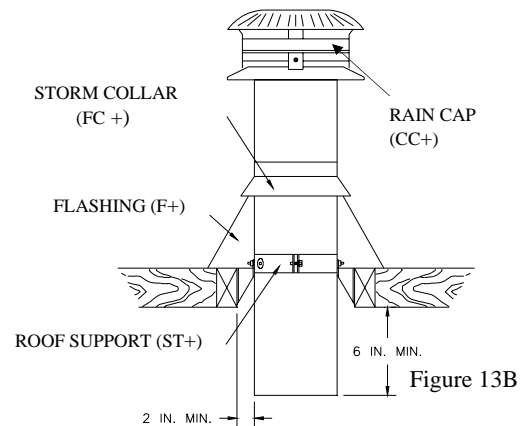
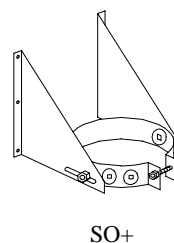


Figure 13B



SO+

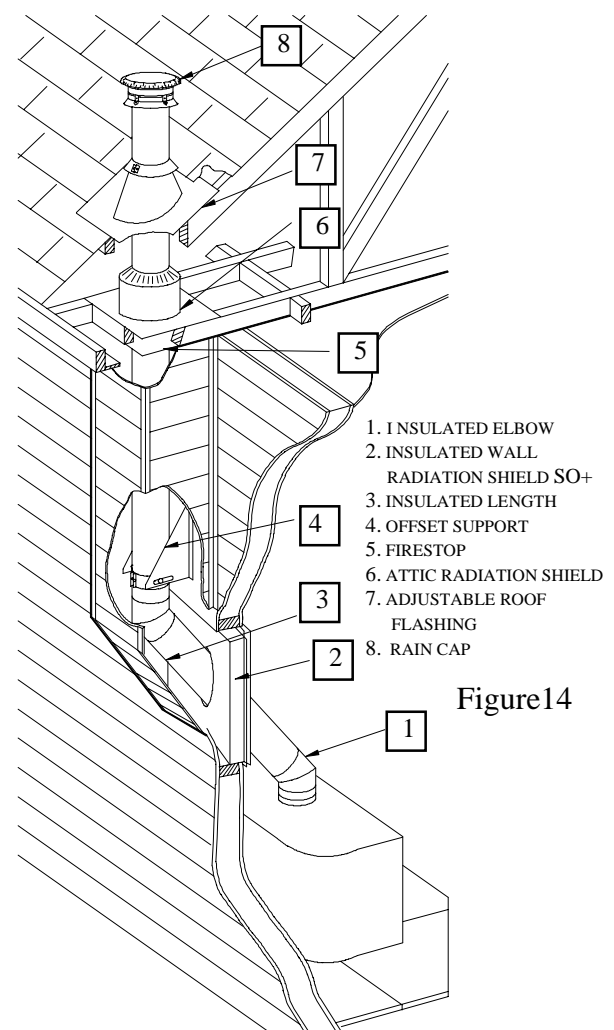


Figure 14



# 4 EXTERIOR INSTALLATION

## WALL SUPPORT (SM OR SME)

Two wall supports are available, an adjustable (SME) and a non-adjustable (SM).

### INSTALLATION NOTES

If possible, install an interior chimney as it will provide better performance than an exterior chimney. In areas with continuous temperatures below -18°C (0°F), the use of an exterior chimney may result in operating problems such as poor draft, excessive condensation of combustion products and rapid accumulation of creosote when connected to a wood burning appliance. If you do install an exterior chimney, we recommend that you enclose it using an insulated enclosure.

1. The chimney may be enclosed or unenclosed. Maintain 2" clearance to combustible materials. Do not fill the 2" space around the chimney with insulation or any other material.
2. A wall band must be used to secure the chimney to the wall. Maximum distance between wall bands is 8 feet.
3. The minimum length of chimney extending past the inside wall is 5 inches.
4. The maximum length of chimney extending past the inside wall is 24 inches.
5. The distance between the stove pipe and a parallel combustible wall or ceiling must not be less than 18". The distance between the horizontal stove pipe and the unshielded vertical wall through which it passes must not be less than 7 inches.
6. If an exterior installation is to be enclosed, allow for access to base of tee to facilitate required cleaning.
7. **The minimum distance between the bottom of the support and any horizontal combustible (including the ground) is 18". This distance can be reduced to 4 inches by using an insulated tee cap (TCI) in conjunction with a (SME) wall support.**
8. The adjustable support (SME) may only be installed with an insulated tee cap (TCI).

### INSTALLATION INSTRUCTIONS STEPS

- 1 Determine where the chimney will pass through the wall.
  - For concrete walls cut a hole slightly larger than the chimney.
  - For combustible walls cut and frame a hole 4" larger than the chimney, midway between the wall studs (see table below for sizing).

Normally wall studs are placed at 16" centers. With the hole midway between them, the support will fasten to these studs and thus ensure a strong attachment to the wall. (See fig.18)

CHIMNEY SIZE	HOLE SIZE	
	COMBUSTIBLE	CONCRETE
5"	11 3/8" x 11 3/8"	7 3/4"
6"	12 3/8" x 12 3/8"	8 3/4"
7"	13 3/8" x 13 3/8"	9 3/4"
8"	14 3/8" x 14 3/8"	10 3/4"
10"	16 3/8" x 16 3/8"	12 3/4"

- 2 Wood walls: from outside, put the wall-radiation shield (RSM+) in the hole. Nail the radiation shield in place using (4) 2" nails or 1" screws. This radiation shield is adjustable from 7" to 12". Rockwool insulation supplied in the radiation shield may be cut to fit the wall thickness. Make sure the gap is completely filled in from inside to outside.

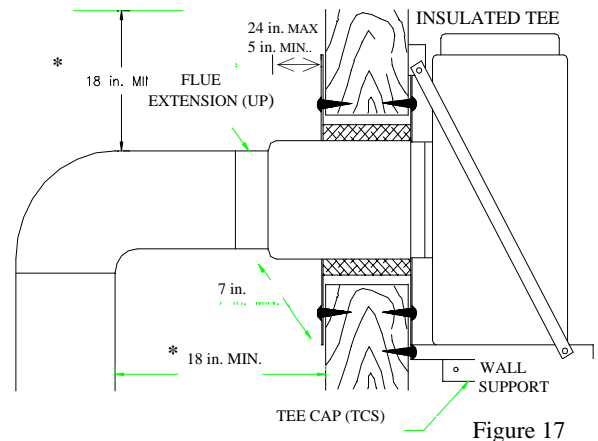
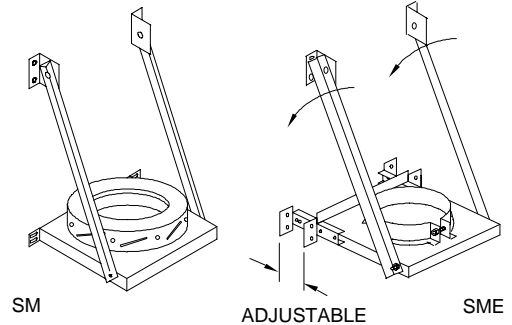


Figure 17

\* THE DISTANCE CAN BE REDUCED IF A LISTED STOVE PIPE IS USED.

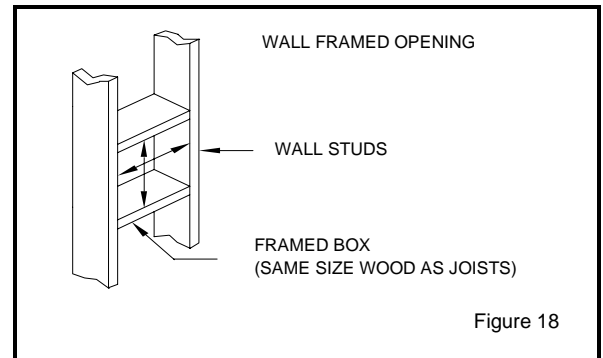


Figure 18

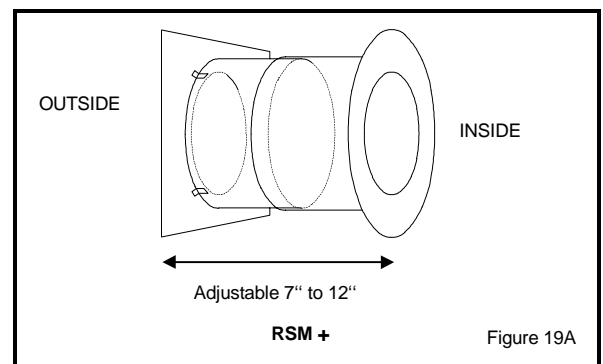


Figure 19A

# 4

## EXTERIOR INSTALLATION (CONT'D)

From inside, put the larger wall radiation shield over the small radiation shield. Using a level make sure that the hole for the chimney to pass through is horizontal. Screw the radiation shield in place (see Fig. 19B).

Note: The cavity surrounding the radiation shield must be filled with type R-20 insulation (see Fig. 19B).

**3** Attach the clean-out cap to the support's flue extension using the three metal screws provided. Make sure that the screws have pierced through the flue extension. The cap is in the box with the insulated tee. If an insulated tee cap is used, twist lock the tee cap to the tee (adjustable support SME only).

**4** The minimum length of insulated chimney required to pass through the wall will be thickness plus 7". The insulated chimney must extend at least 5" into the room beyond the finished wall. Insert this chimney length in the side entry of the insulated tee. Turn it clockwise to lock it in place. Seal this joint by wrapping it with the aluminium tape supplied with the tee. Mount the insulated tee on the support so that the chimney length which will go through the wall is perpendicular to the side of the support that will fasten to the wall.

Mount the insulated tee on the support so that the chimney length which will go through the wall is perpendicular to the side of the support that will fasten to the wall.

This step will require 2 people: (See fig.21)

**5** Insert the chimney length of this tee-support assembly into the hole in the wall. Using a level, ensure the tee is vertical, then attach the support to the wall using (8) N<sup>o</sup>. 10 x 1 - 1/4" wood screws or 4" spiral nails

NOTE: To provide sufficient strength, the nails must be driven into the wall studs. For concrete walls, the support should be attached using (8) 1/4" x 2" lag bolts.

Attach the flue extension to the horizontal chimney length using the three metal screws provided.

**6** Stack a chimney length on top of the tee. Turn it clockwise to lock it in place. Continue until the required chimney height is reached.

**7** NOTE: At 8' intervals, attach the chimney to the wall using a wall band (BM+).

If the chimney passes through the roof, cut a hole large enough to provide 2" clearance between the chimney and the roof. For pitch roof, see chart on page 3. Install the roof radiation shield in the roof joist. (U.S.A. only).

**8**

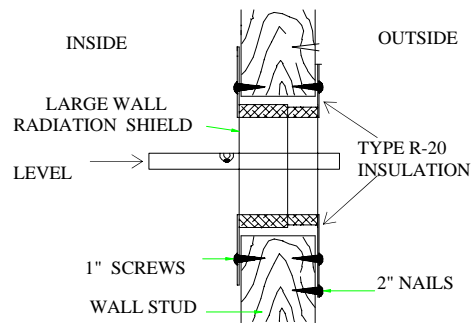


Figure 19B

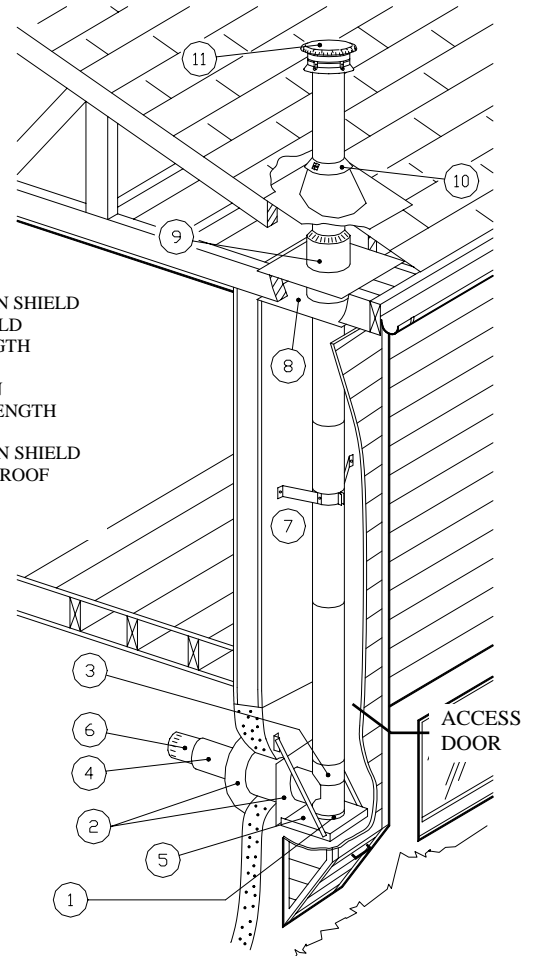
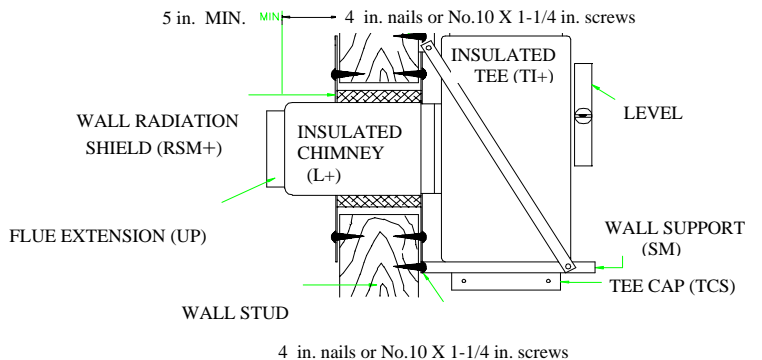


Figure 20

To continue, SEE ROOF FLASHING INSTALLATION, ON page 5.



# 5

## INTERIOR INSTALLATION ON A FURNACE & WATER HEATER

### BASE SUPPORT (S2)

- 1 Locate the chimney in a convenient place as near as possible to the appliance outlet.  
Cut and frame the holes in the floor, ceiling and roof where the chimney will pass.

Chimney Size	Hole size
5"	14 3/8" x 14 3/8"
6"	14 3/8" x 14 3/8"
7"	14 3/8" x 14 3/8"
8"	14 3/8" x 14 3/8"
10"	14 3/8" x 14 3/8"

- 2 From below push the support into the framed hole. Nail the support to the framed box using (12) - 3" spiral nails (see Fig. 22)

- 3 Attach the flue extension (found in the support box) to the bottom of the first chimney length using the 3 metal screws provided (see Fig.24).

- 4 Put this first chimney length in the support. Push it down firmly in place .

**Note: the male coupling must be on top.**

From below, install a firestop (BF+) in each floor through which the chimney passes (see Fig. 23)

- 5 Stack the next chimney length on the first length. Be sure that the male and female threads are not in line when putting the lengths together. Turn the chimney clockwise to lock it in place. Continue until the required chimney height is reached.

- 7 At the attic level, install a firestop (BF+), from below and an attic radiation shield (RSA+) from above (see Fig. 25).

- 8 **U.S. ONLY:** Install the roof radiation shields in the roof joists. These shields consist of four metal plates. Nail one plate to each side of the joist using (2) 2 1/2" nails.

- 9 Put the roof flashing in place. Seal the joint between the roof and the flashing with roofing pitch.

For sloping roofs, place the flashing under the upper shingles and on top of the lower shingles.

Nail the flashing to the roof using roofing nails.

Place the storm collar over the chimney and the flashing. Tighten it with the bolt supplied making sure the joint is properly caulked (see Fig. 26)

- 10 Fit the rain cap to the top of the chimney. Turn it clockwise to lock it in place.

- 11 Wash the roof flashing and the outside chimney with a solvent or vinegar, then paint it with rust proof paint.

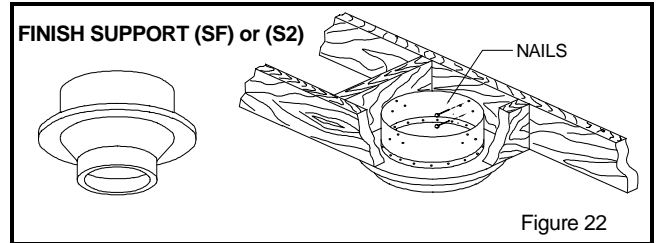
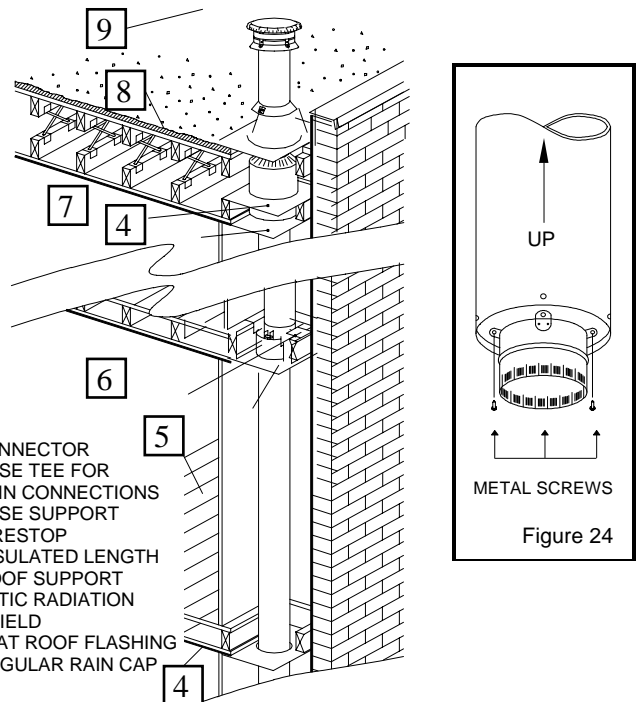


Figure 22



1. CONNECTOR
2. BASE TEE FOR TWIN CONNECTIONS
3. BASE SUPPORT
4. FIRESTOP
5. INSULATED LENGTH
6. ROOF SUPPORT
7. ATTIC RADIATION SHIELD
8. FLAT ROOF FLASHING
9. REGULAR RAIN CAP

Figure 24

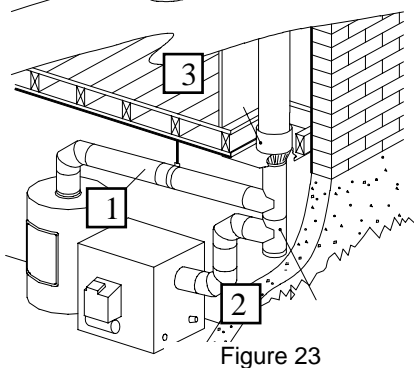


Figure 23

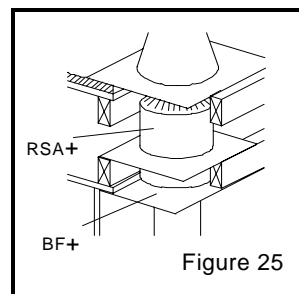


Figure 25

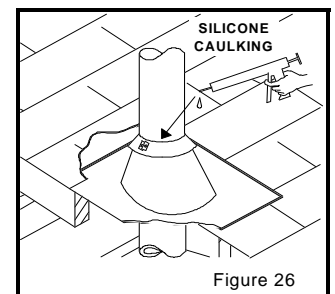
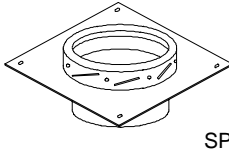


Figure 26

# SPECIALIZED COMPONENTS

## ANCHOR PLATE (SP)

This support is used on a masonry fireplace (**U.S. ONLY**) or on top of a furnace to provide a positive connection to the chimney. It is not to be used in contact with any combustible material, such as on a wood floor.



SP

### INSTALLATION INSTRUCTIONS

Once the appliance is installed, bolt the anchor plate to it. Install the chimney according to the installation instructions for the finish support (SF).

### FACTORY-BUILT FIREPLACES

For chimneys installed on factory-built fireplaces, follow the installation instructions accompanying the fireplace.

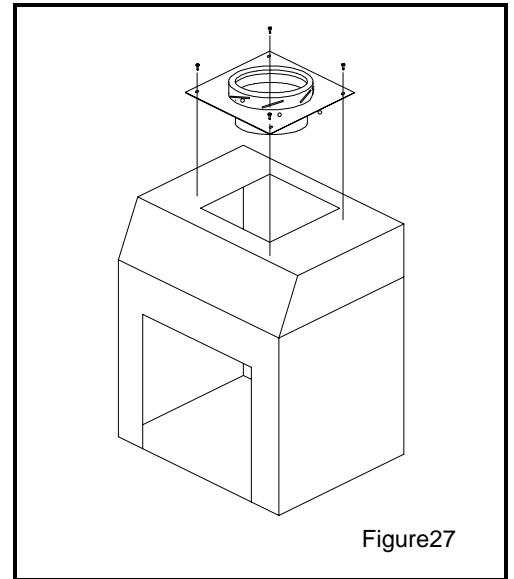


Figure 27

## FIREPLACE INSULATED RADIATION SHIELDS

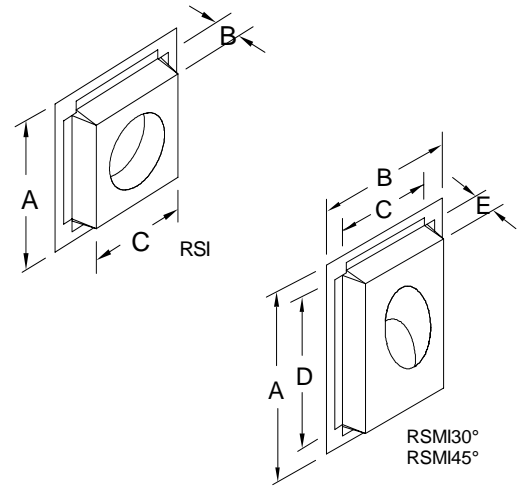
These are used only with wood-burning fireplaces in the Security Chimneys' fireplace line and wood-burning fireplaces which have been certified for use with the ASHT+.

### INSULATED RADIATION SHIELD (RSI)

It must be used in combination with an attic radiation shield (RSA+) when passing through an attic. This component provides a 2" safety clearance to combustible materials surrounding the chimney.

### ANGLED INSULATED RADIATION SHIELD (RSMI30°/RSMI45°)

It has been designed for use when a chimney passes through a wall at an angle.



Ø INT.	FRAMING SIZE								
	RSI			RSMI30°			RSMI45° (CANADA ONLY)		
	7"	8"	10"	7"	8"	10"	7"	8"	10"
A	16	16	18	37 3/4	39 3/4	45 5/16	26 5/8	28	30 1/2
B	3	3	3	16 5/8	17 5/8	19 3/8	16 5/8	17 5/8	19 3/8
C	13	13	5	12 5/8	13 5/8	15 3/8	12 1/8	13 1/2	14 7/8
D	--	--	--	33 3/4	35 3/4	39 1/4	22 1/8	23 1/2	26
E	--	--	--	3	3	3	3	3	3



# SECURE TEMP<sup>ASHT+</sup>

## LIFETIME LIMITED WARRANTY

This limited warranty is granted by Security Chimneys International Ltd., 2125 Monterey, Laval, Quebec, Canada H7L 3T6. (Hereinafter referred as "Warrantor")

In the following text, the word "component" designates lengths, elbows, tees and accessories. Caps are not included.

### **Limited Warranty:**

The Warrantor grants a warranty to the initial consumer that the ASHT+ chimney will be free from defects in material and workmanship under normal use of such chimneys for an unlimited period of time from the date of purchase. This warranty is not valid if the ASHT+ chimney is not installed in accordance with the recommendations provided in the installation manual and with all the components provided by the manufacturer. This product must be used for the application for which it was designed and intended.

The Warrantor shall not be liable for damages due to normal wear of the ASHT+ chimney components, accidents, misuse, lack of reasonable and necessary maintenance, improper installation or unauthorized repairs, alterations or modifications of the product.

The Warrantor's liability with respect to defects shall be limited to the replacement of the ASHT+ chimney components considered defective by the Warrantor for the following periods:

1. During the first 10 years, the Warrantor will provide ASHT+ chimney components and the initial consumer shall bear all other costs.
2. During the 11th to 15th years, the initial consumer can purchase a replacement chimney component at any of the Warrantor's dealers for 25% of the then suggested retail price and the initial consumer shall bear all other costs.
3. After the 15<sup>th</sup> year, the initial consumer can purchase a replacement chimney component at any of the Warrantor's dealers for 50% of the then suggested retail price and the initial consumer shall bear all other costs.

The Warrantor reserves the right to replace ASHT+ chimney components with an equivalent product and the replacement must be carried out in accordance with the Warrantor's recommendations.

The warranty is limited to the replacement of defective chimney components and does not include any damages resulting from any defect in the product nor does it include expenses sustained in connection with the product, including damages to property.

**IN NO EVENT WILL WARRANTOR BE LIABLE TO YOU OR ANY OTHER PERSON FOR ANY DAMAGES, INCLUDING ANY INCIDENTAL OR CONSEQUENTIAL DAMAGES. SOME STATES DO NOT ALLOW THE ABOVE LIMITATION OR EXCLUSION OF INCIDENTAL OR CONSEQUENTIAL DAMAGES, SO THE ABOVE LIMITATIONS OR EXCLUSIONS MAY NOT APPLY TO YOU.**

The warranty is only valid for an initial consumer who buys ASHT+ chimney components and may not be assigned.

EXCEPT AS EXPRESSLY SET FORTH ABOVE, NO OTHER WARRANTIES, EITHER EXPRESS OR IMPLIED, WRITTEN OR ORAL, ARE MADE INCLUDING BUT NOT LIMITED TO THE IMPLIED WARRANTIES OF MERCHANTABILITY AND FITNESS FOR A PARTICULAR PURPOSE, AND THE WARRANTOR EXPRESSLY DISCLAIMS ALL WARRANTIES NOT STATED HEREIN. SOME STATES DO NOT ALLOW THE EXCLUSION OF IMPLIED WARRANTIES, SO THE ABOVE EXCLUSION MAY NOT APPLY TO YOU. THIS WARRANTY GIVES YOU SPECIFIC LEGAL RIGHTS AND YOU MAY ALSO HAVE OTHER RIGHTS THAT VARY FROM STATE TO STATE.

This warranty is governed by the laws of the province of Quebec, Canada.

### **OBTAINING REPLACEMENT:**

To obtain a replacement, contact the Warrantor or the dealer. Proof of purchase is required. If defective chimney components have to be returned, it will be at the consumer's expense. The Warrantor will replace any chimney components which upon examination by Warrantor or its designated representative, prove to be defective.